



Flush mount enclosure IP65 (4X) for SM1P SM1Z  
Flush mount enclosure IP65 (4X) for SM1P SM1R...

Product designation

Product type designation

Description

Accessories for

**Mechanical features**

Weight g 205

**Operations**

Mechanical life cycles 100000

**Ambient conditions**

Temperature

Operating temperature

	min	°C	-25
	max	°C	+60

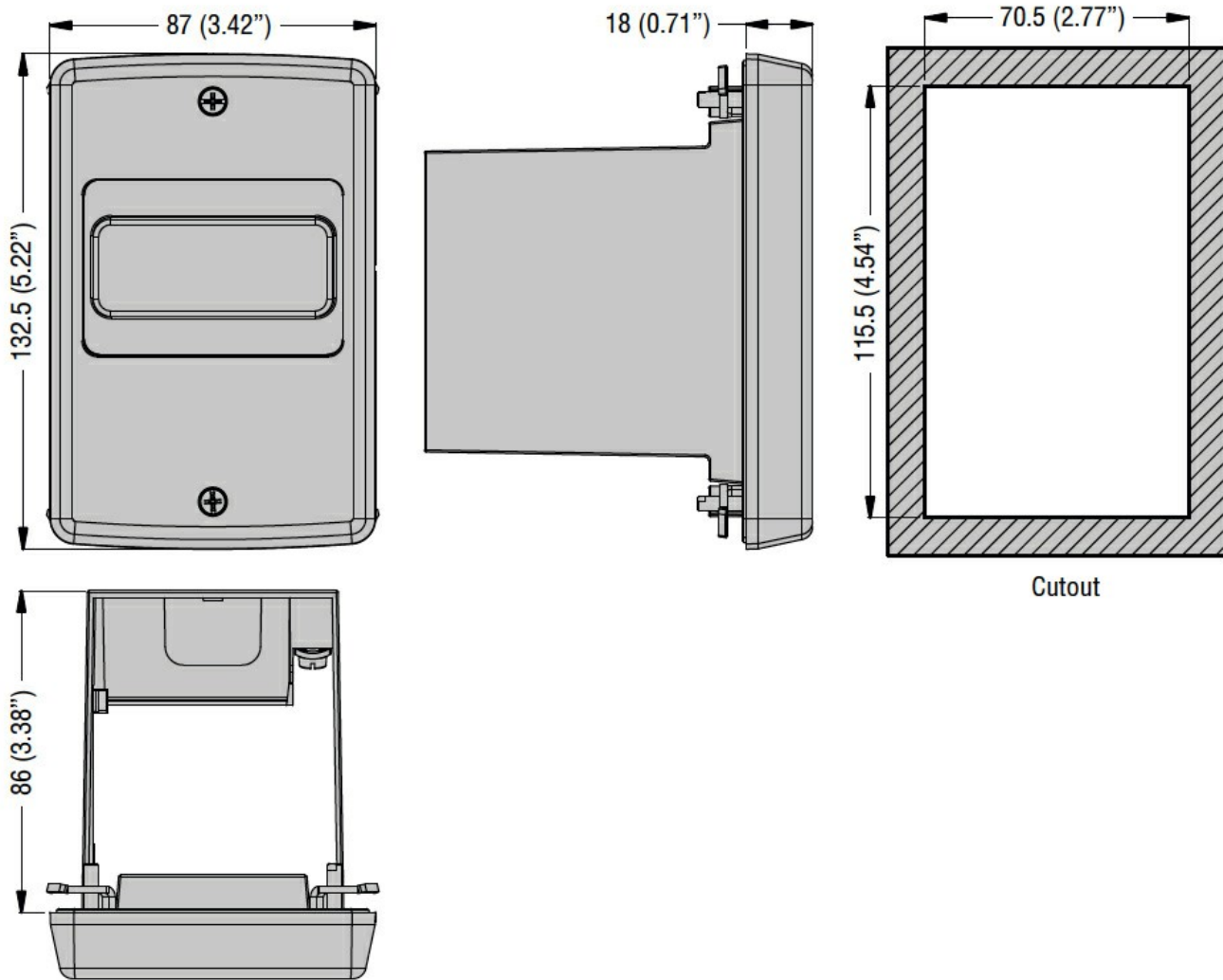
Storage temperature

	min	°C	-50
	max	°C	+80

IEC degree of protection IP65 (front)

UL degree of protection 4X (front)

**Dimensions**



**Certifications and compliance**

Compliance

CSA C22.2 n° 14  
 IEC/EN 60947-1  
 IEC/EN 60947-5-1  
 UL508

Certificates

cULus  
 EAC

**ETIM classification**